

EZPix™ System



The Ultimate Layer Handling System

The EZPix System is a versatile and reliable layer handling system. It can pick up and move entire layers of product weighing up to 400 pounds. The scaleable design can encompass over sixty feet and twelve pallet positions, allowing for mixed pallets to be built with 11 different products. Imagine the flexibility this system will give your distribution center to meet changing market demands.

Choose to operate EZPix as a fully automatic gantry system, or in a semi-automatic mode with the operator pendant, as shown above. Either way, EZPix will increase your throughput while virtually eliminating ergonomic issues.

Benefits

- *Handles Layers up to 400 lbs.*
- *Encompass up to 12 Pallet Positions*
- *Highly Scaleable*
- *Highly Reliable*
- *Operates Fully Automatic or Semi-Automatic*
- *Low Maintenance Requirements*
- *Eliminate Ergonomic Issues*
- *Increase Throughput*
- *Easy to Operate and Maintain*
- *Low Profile Design*



Automated Motion

www.automated-motion.com

General Specifications

Item		Model	Vertical Continuous Lift	
Control Platform			Allen Bradley PLC	
Payload			75 lbs.	
Repetitive Positioning Accuracy			1/8"	
Case	Max Height		16"	
	Max Width		20"	
	Max Length		30"	
Cycle Time			4 seconds	
Elevation Change			16' max	
Ambient Conditions	Temperature		35° - 135° F	
	Humidity		5 to 90% RH (non condensing)	
	Others			Free from corrosive gases or liquids
				Clean and Dry
				Free from excessive electrical noise
		Adequate electrical ground source		

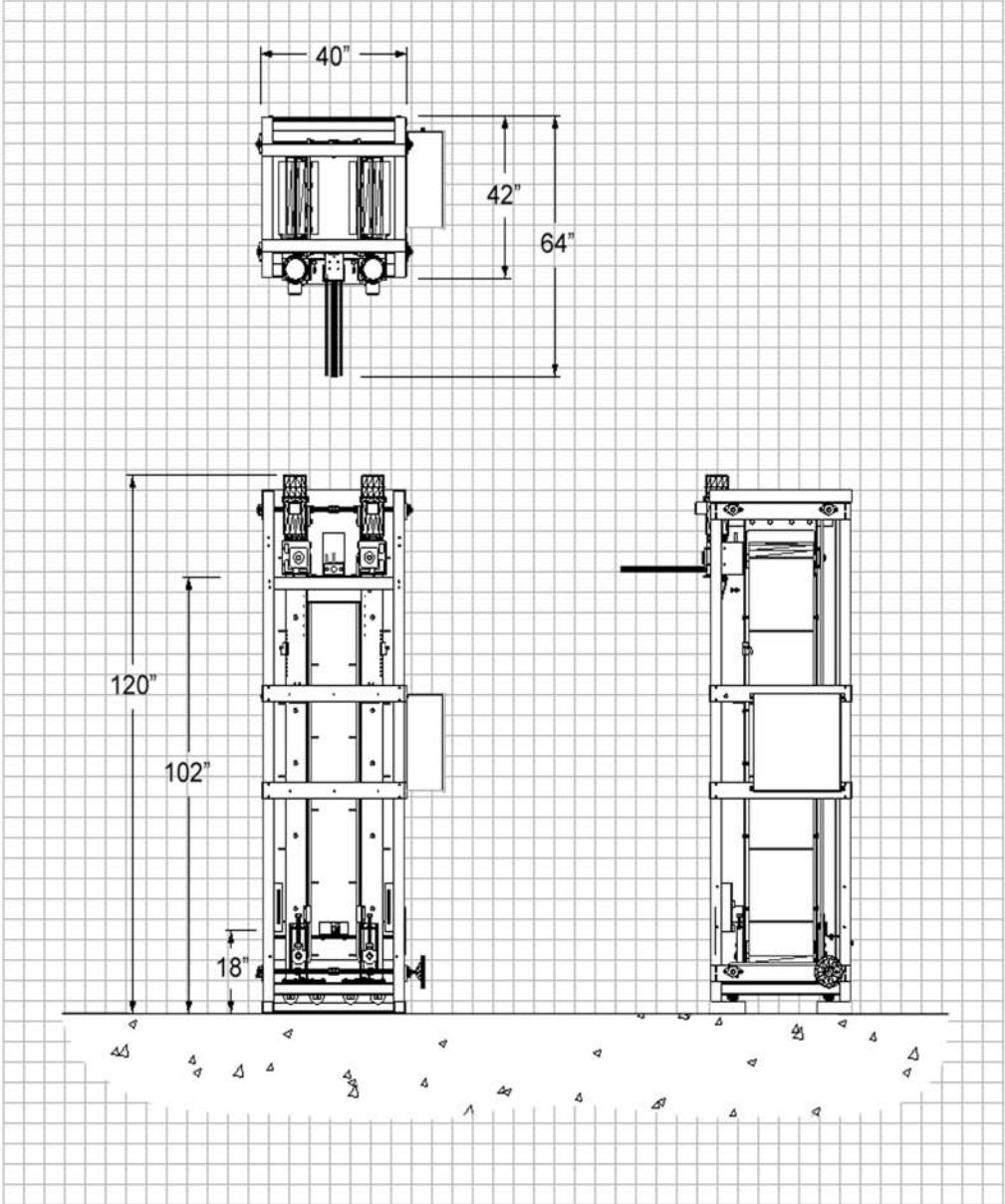


Automated Motion

1207A Belmar Drive
 Belcamp, Maryland 21017
 Tel: 410-679-7902
 Fax: 410-679-7903

Website: www.automated-motion.com
 Email: Sales@automated-motion.com

Standard Vertical Continuous Lift (VCL)



The dimensions, descriptions, illustrations and other particulars in this brochure are provided in good faith and are for information purposes only. No guarantee or warranty is given or implied by Automated Motion Inc. Photographs are for illustration only and may be shown with guards removed to highlight details or features.
 Copyright © 2004 Automated Motion Incorporated.